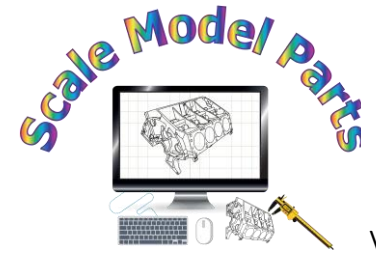


www.scalemodelparts.co.uk



Scale Models Parts specialise in the creation and printing of highly detailed 3d printed parts. All parts are printed in resin using very high-quality printers

With a background of 35 years in engineering you can be assured the parts are highly detailed, highly accurate and most importantly, they are designed to fit

The original aim was to fill gaps in the market where parts are not commercially available

**So if you have something in mind and are struggling to get hold of it,
then contact me and let's see if we can make it**

Contact me through the email below

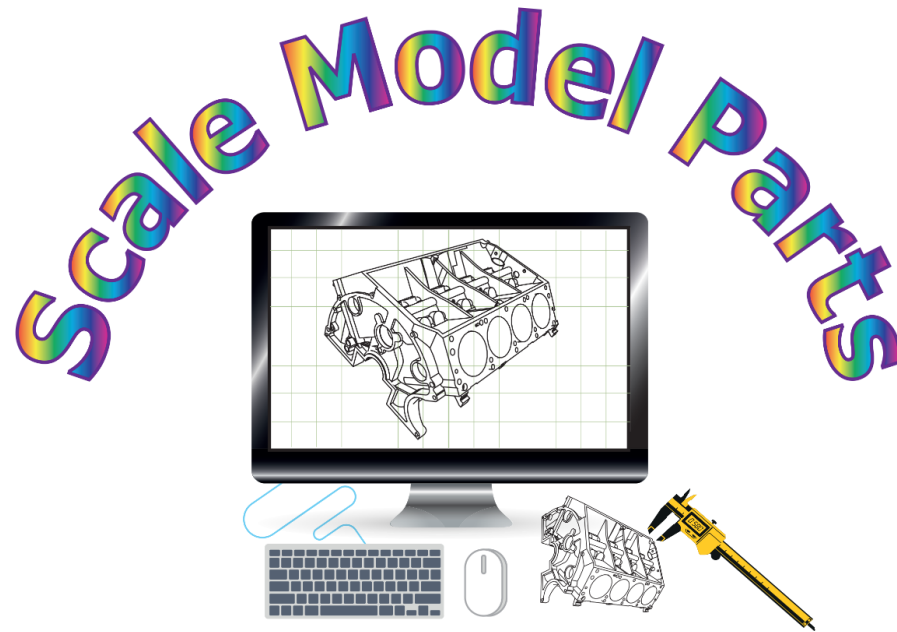
Regards

Mark

email: mark@scalemodelparts.co.uk

**When ordering please remember to state part reference number, and remember to include your address
I will confirm Postal costs but be assured post is always priced at cost.**

Payment is through PayPal but direct transfer is available



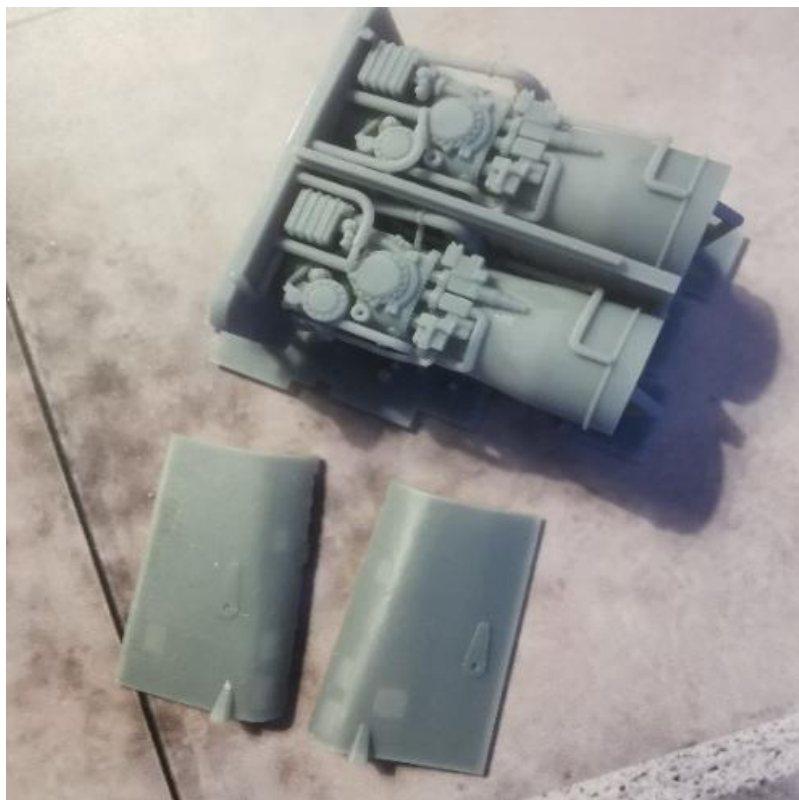
Issue 7: updated Jan 2026

Additions: ASRAAM AIM 132, AMRAAM AIM 120 A/B

NUCLEAR BOMB WE177 C/C

<p>72001 TORNADO GR1 ENGINE SET 72002 TORNADO GR4 ENGINE SET 72003 TORNADO F3 ENGINE SET 72004 TORNADO GR4 COCKPIT SET 72005 TORNADO F3 COCKPIT 72006 TCAS UPGRADE 72007 CANOPY STAY 72008 FLIR 72009 LRMTS 72010 ALARM MISSILES 72011 SEA EAGLE MISSILES 72012 PHIMAT 72013 DOUBLE BOMB CARRIER 720141000LB BOMBS 72015 1000LB BOMBS WITH 960 FUSE 72016 RAPTOR POD 72017 REVELL UK TYPE 1500L FUEL TANKS 72018 REVELL UK EARLY 1500L FUEL TANKS 72019 ITALERI UK TYPE 1500L FUEL TANKS 72020 ITALERI UK EARLY 1500L FUEL TANKS 72021 RAF AIRCRAFT ARMED SIGNS 72022 COBHAM REFUELLING BASKETS 72023 HEAVY WEIGHT TRAFFIC CONES 72024 UK LARGE WHEEL CHOCKS 72025 BUCCANEER ADAPTER TO FIT F3 NOSE CONE 72026 NUCLEAR BOMB WE177B/C 72027 TBC</p> <p>144001 COBHAM REFUELLING BASKETS 144002 TBC</p>	<p>48001 ITALERI TORNADO GR1 ENGINE SET 48002 ITALERI TORNADO GR4 ENGINE SET 48003 ITALERI TORNADO F3 ENGINE SET 48004 REVELL TORNADO GR4 ENGINE SET 48005 REVELL TORNADO F3 ENGINE SET 48006 TCAS UPGRADE 48007 CANOPY STAY 48008 ITALERI TARDIS UPGRADE 48009 REVELL TARDIS UPGRADE 48010 REVELL F3 FRONTLINE NAV CONSOLE 48011 ITALERI F3 FRONTLINE NAV CONSOLE 48012 ITALERI F3 TRAINER NAV CONSOLE 48013 TAILERON SHELLS 48014 FLIR 48015 LRMTS 48016 ALARM MISSILES 48017 SEA EAGLE MISSILES 48018 PHIMAT 48019 DOUBLE BOMB CARRIER 48020 1000LB BOMBS 48021 1000LB BOMBS WITH 960 FUSE 48022 RAPTOR POD 48023 Y WEAPONS LOADER 48024 REVELL UK TYPE 1500L FUEL TANKS 48025 REVELL UK EARLY 1500L FUEL TANKS 48026 ITALERI UK TYPE 1500L FUEL TANKS 48027 ITALERI UK EARLY 1500L FUEL TANKS 48028 RAF AIRCRAFT ARMED SIGNS 48029 COBHAM REFUELLING BASKETS 48030 HEAVY WEIGHT TRAFFIC CONES 48031 UK LARGE WHEEL CHOCKS 48032 TYPHOON ENGINE INTAKE TUNNELS 48033 CONFORMAL TANK MOUNTINGS 48034 NUCLEAR BOMB WE177B/C 48035 TBC</p>	<p>32001 ITALERI TARDIS UPGRADE 32002 REVELL TARDIS UPGRADE 32003 REVELL F3 COCKPIT CONVERSION 32004 REVELL GR4 COCKPIT CONVERSION 32005 TCAS UPGRADE 32006 CANOPY STAY 32007 ITALERI ENGINE GR4 OIL PUMPS 32008 FLIR 32009 LRMTS 32010 ALARM MISSILES 32011 SEA EAGLE MISSILES 32012 PHIMAT 32013 DOUBLE BOMB CARRIER 32014 1000LB BOMBS 32015 1000LB BOMBS WITH 960 FUSE 32016 RAPTOR POD 32017 Y WEAPONS LOADER 32018 REVELL UK TYPE 1500L FUEL TANKS 32019 REVELL UK EARLY 1500L FUEL TANKS 32020 ITALERI UK TYPE 1500L FUEL TANKS 32021 ITALERI UK EARLY 1500L FUEL TANKS 32022 RAF AIRCRAFT ARMED SIGNS 32023 COBHAM REFUELLING BASKETS 32024 HEAVY WEIGHT TRAFFIC CONES 32025 UK LARGE WHEEL CHOCKS 32026 REVELL F3 CONVERSION KIT 32027 TYPHOON ENGINE INTAKE TUNNELS 32028 CONFORMAL TANK MOUNTINGS 32029 ASRAAM AIM 132 32030 AMRAAM AIM 120 A/B 32031 NUCLEAR BOMB WE177B/C 32032</p> <p>24001 RAF AIRCRAFT ARMED SIGNS 24002 TBC</p>
--	--	--

1/72 72001 TORNADO GR1 ENGINE SET

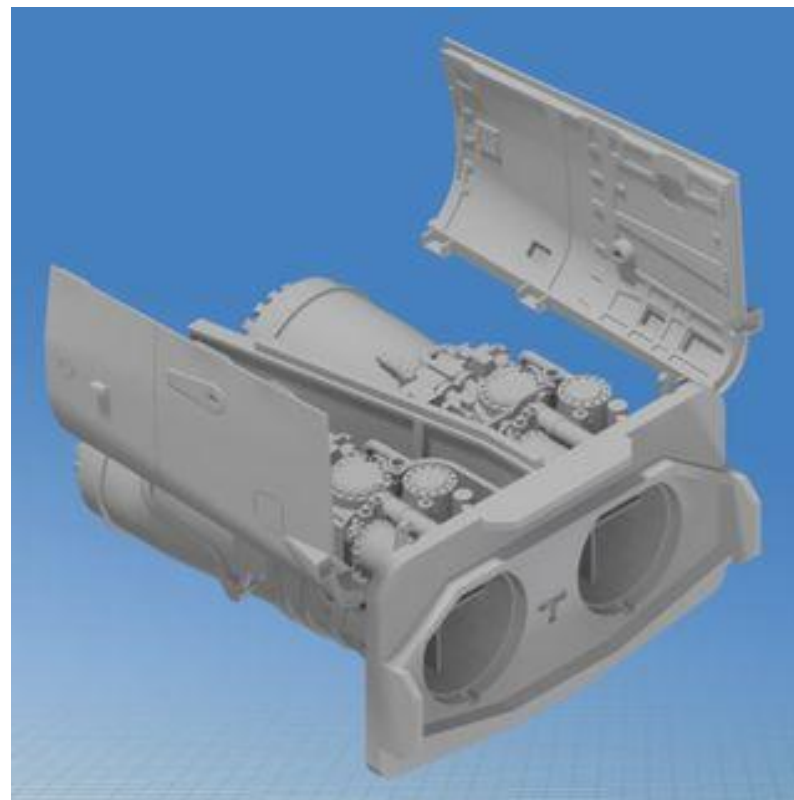


1/72 PLAIN DOORS GR1

£12.00

Set includes bulkhead, fire wall, 2 engines and doors. This set is for a GR1, or Early IDS and features the square oil cooler

1/72 72002 TORNADO GR4 ENGINE SET

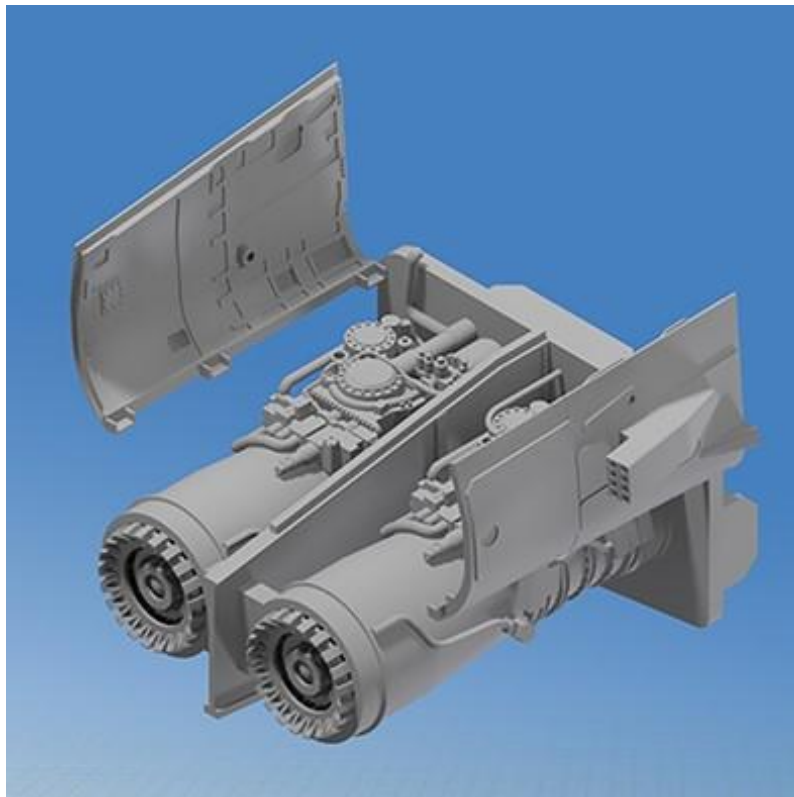


1/72 PLAIN DOORS GR4/ ECR/ F3

£12.00

Set includes bulkhead, fire wall, 2 engines and doors. This set is for a GR4, updated IDS and F3. Features the round oil cooler

1/72 72003 TORNADO ENGINE SET

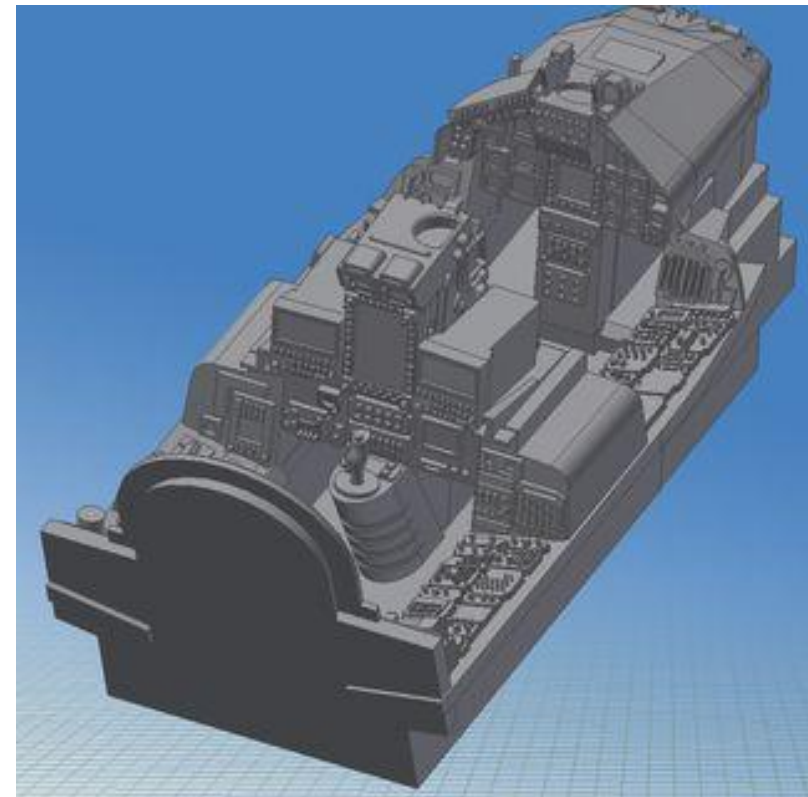


1/72 REINFORCED DOORS w/VINTON FLARES

£12.00

Set includes bulkhead, fire wall, 2 engines and doors. This set is for a frontline F3, reinforced doors and Vinton flare dispensers

1/72 72004 TORNADO GR4 COCKPIT SET

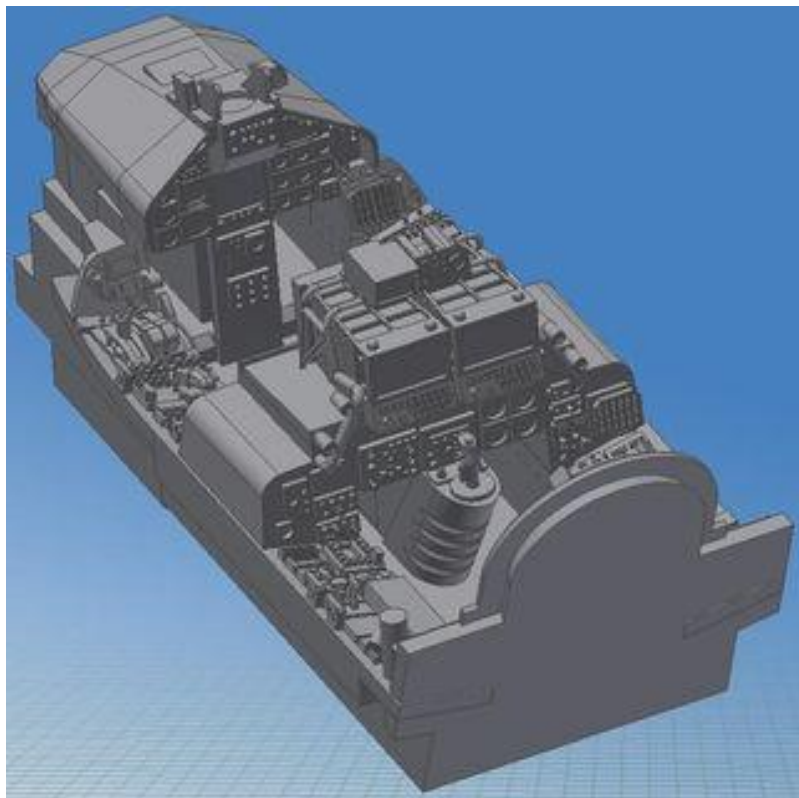


1/72 GR4 COCKPIT SET

£12.00

This set converts the Revell GR1 cockpit into a late GR4 cockpit with Tardis and upgraded navigators set up. Included is TCAS for a post 2015 machine spine and chin upgrade

1/72 72005 TORNADO F3 COCKPIT

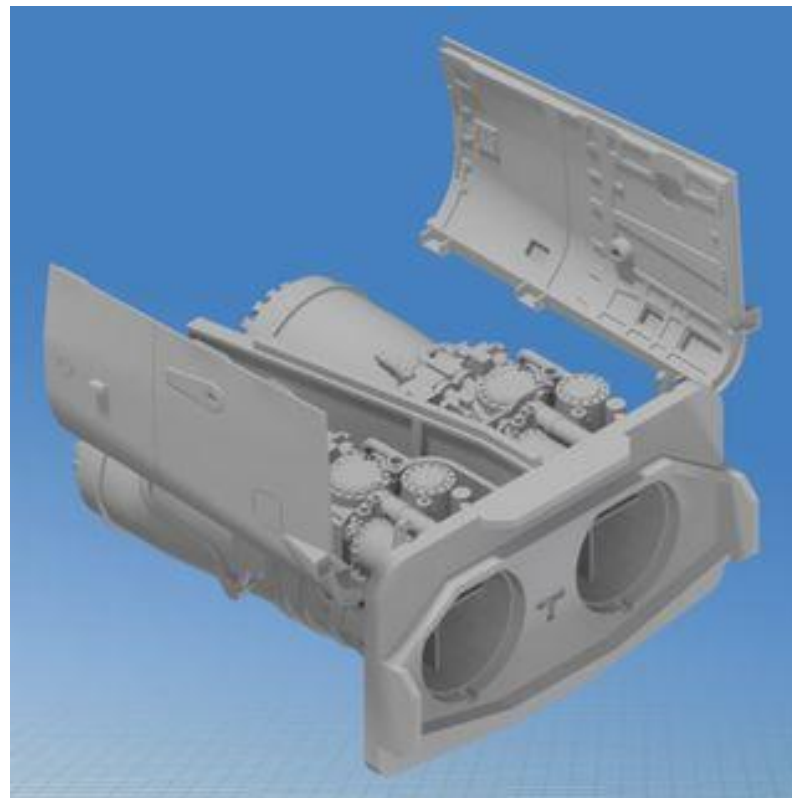


1/72 TORNADO F3 COCKPIT SET

£12.00

This set contains a full cockpit set to update the Hasegawa or Italeri kit, includes a canopy stay

1/48 48001 ITALERI TORNADO GR1 ENGINE SET

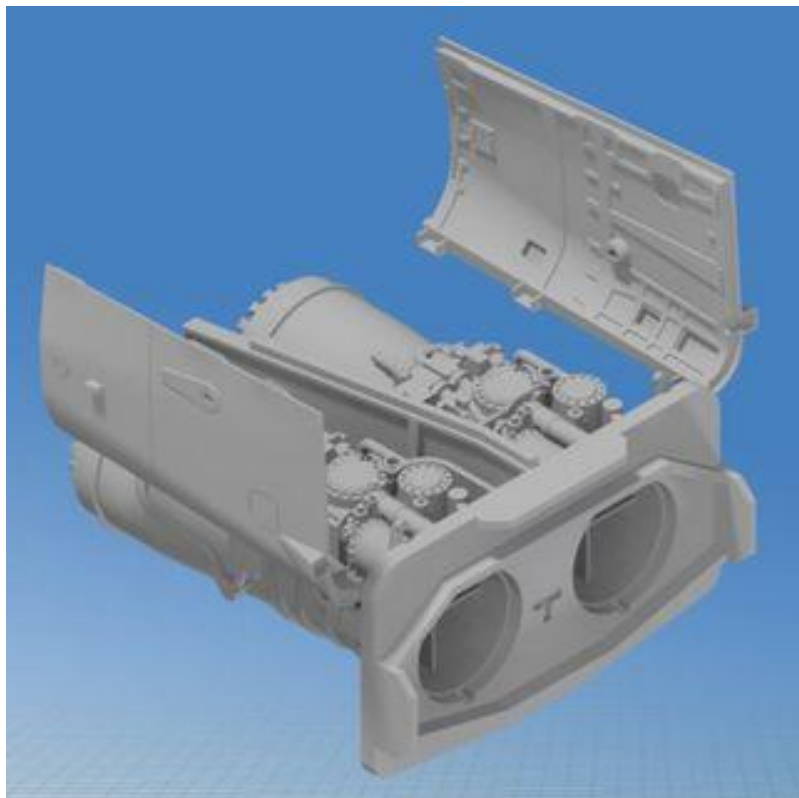


1/48 ITALERI KIT GR1 /IDS

£18.00

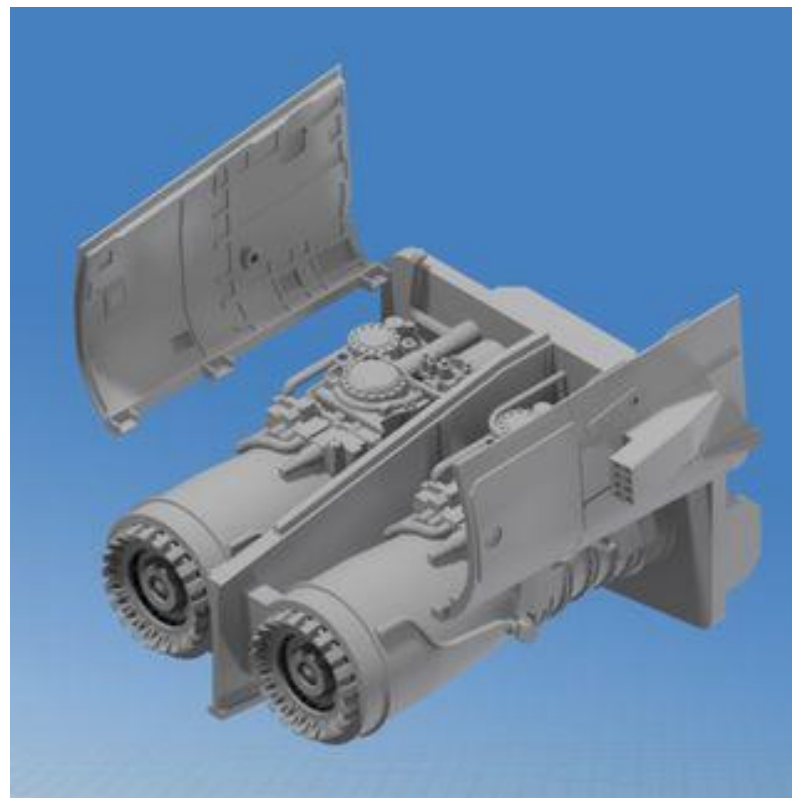
Set includes bulkhead, fire wall, 2 engines and doors. This set is for a GR1, or early IDS and features the square oil cooler

1/48 48002 ITALERI TORNADO GR4 ENGINE SET



**1/48 PLAIN DOORS GR4/ IDS / ECR/ F3
£18.00**

1/48 48003 ITALERI TORNADO F3 ENGINE SET

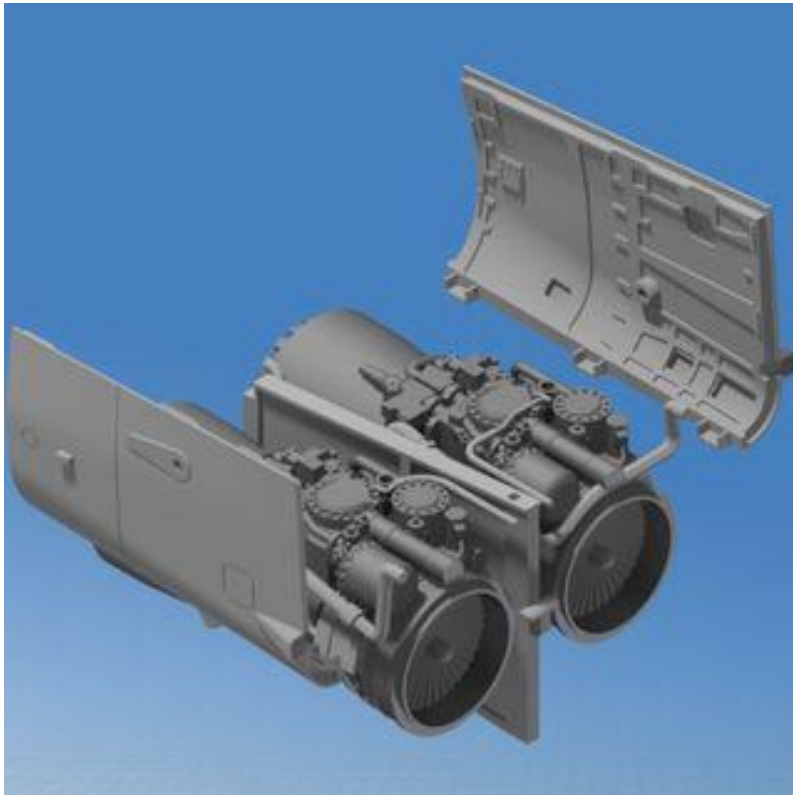


**1/48 ITALERI KIT GR1 /IDS
£18.00**

Set includes bulkhead, fire wall, 2 engines and doors. This set is for a GR4, ECR, uprated IDS and F3. Features the round oil cooler

Set includes bulkhead, fire wall, 2 engines and doors. This set is for a frontline F3, w/reinforced doors and Vinton flare dispensers

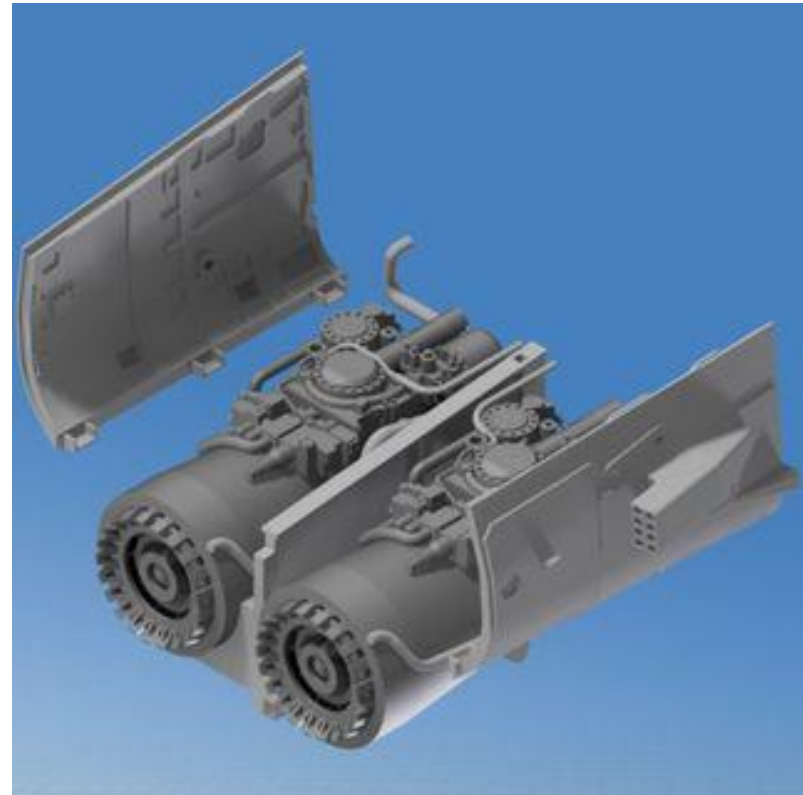
1/48 48004 REVELL TORNADO GR4 / IDS/ ECR /F3 ENGINE



**1/48 REVELL GR4/ ECR/ IDS KIT w/PLAIN DOORS
£18.00**

**Set includes fire wall, engines and doors.
Mounts in between kit firewall and engine parts
This set is for a GR4, ECR, uprated IDS and F3**

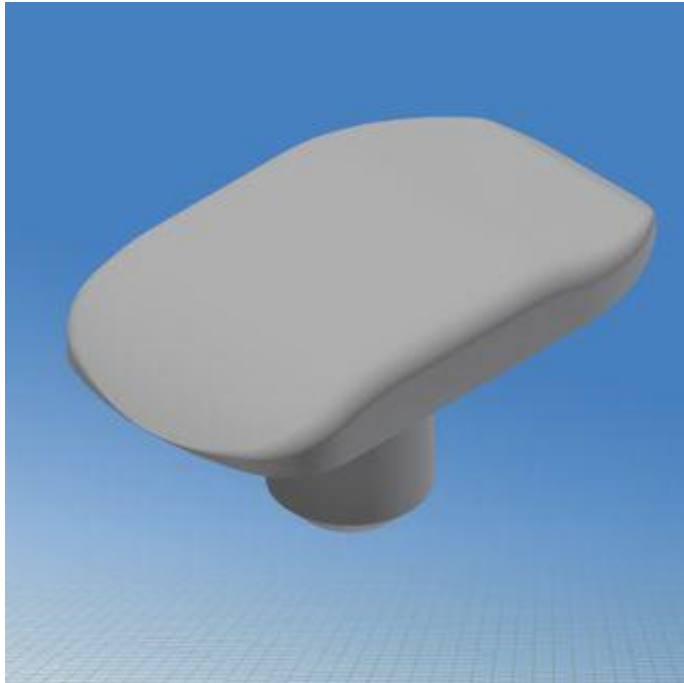
1/48 48005 REVELL TORNADO F3 FRONTLINE ENGINE SET



**1/48 REVELL KIT F3 w/VINTON FLARE DISPENSER
£18.00**

**Set includes fire wall, 2 engines and doors. Mounts in between
kit firewall and engine parts. This set is for a frontline F3,
w/reinforced doors and Vinton flare dispensers**

TORNADO ANTI COLLISION TCAS UPGRADE



Anticollision device fitted to all Tornado GR4 from 2014 to end of service. Pack contains 1 for spine and 1 for chin

72006

£3.00

48006

£4.00

32005

£6.00

RAF CANOPY STAY



Replica in scale of RAF Tornado canopy stay. 3 in 1/72 pack, 2 in 1/48 pack, 1 in 1/32. 1/32 has metal pin running through it to prevent bend

72007

£4.00

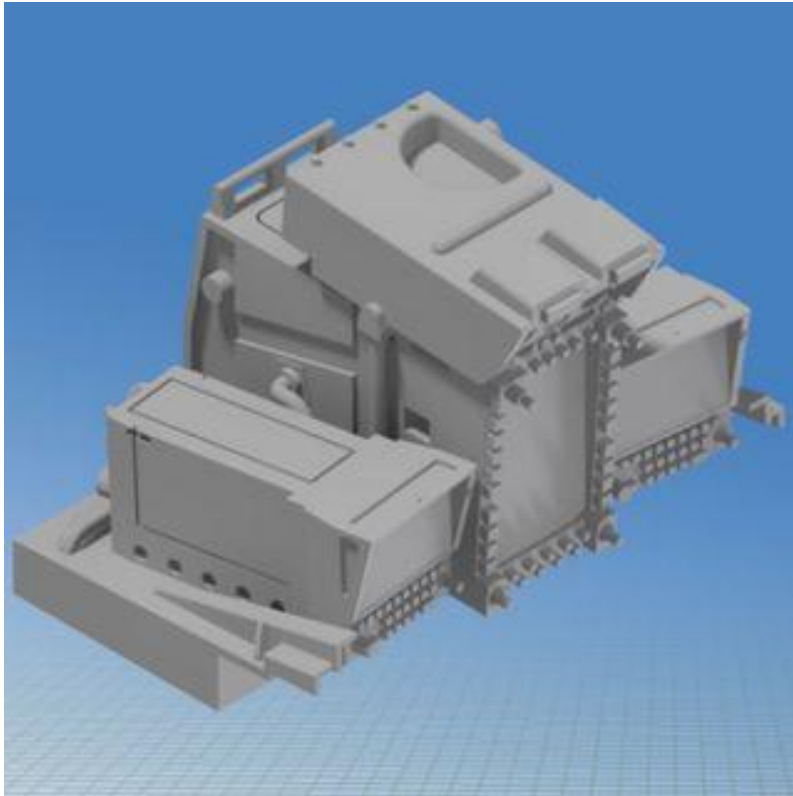
48007

£4.00

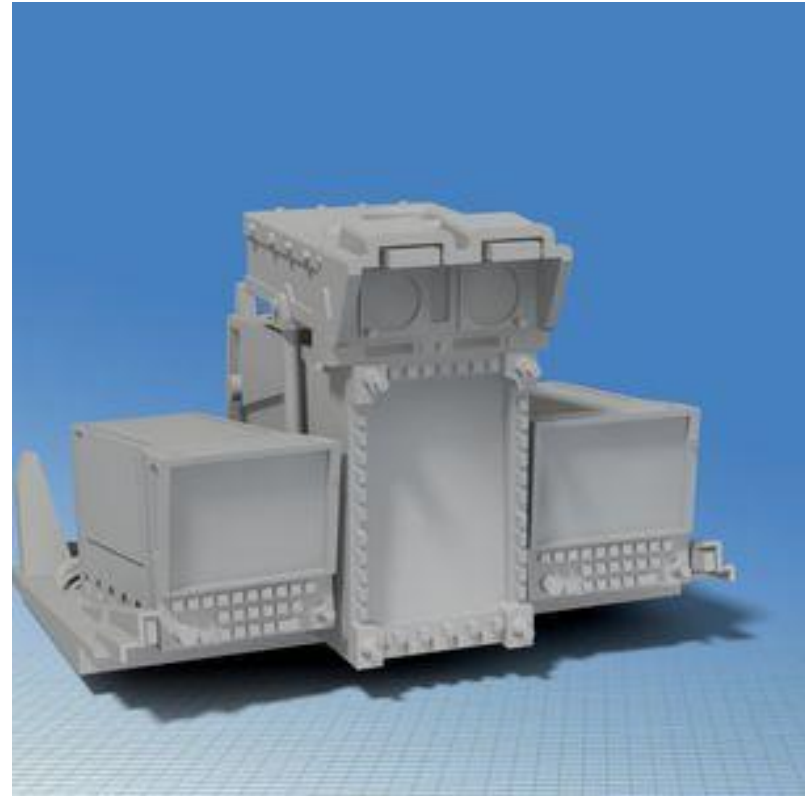
32006

£4.00

ITALERI TORNADO TARDIS UPGRADE



REVELL TORNADO TARDIS UPGRADE



ITALERI VERSION: Tardis, a digital upgrade for Navigators station with new digital side monitors, ejection deflector plate and handle on front. Applicable to GR4 from 2010

REVELL VERSION: Tardis, a digital upgrade for Navigators station with new digital side monitors, ejection deflector plate and handle on front. Applicable to GR4 from 2011

48008

£6.00

48009

£6.00

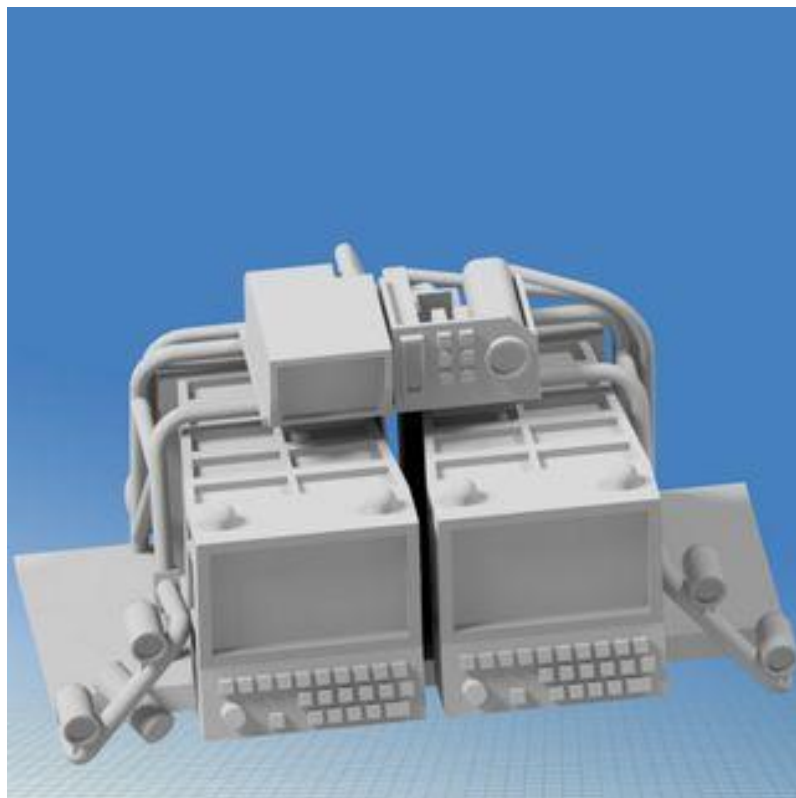
32001

£9.00

32002

£9.00

TORNADO F3 FRONTLINE NAVIGATORS STATION



This is an enhancement of the kit parts and suitable for a frontline Tornado F3. Separate versions for Italeri and Revell

TORNADO F3 TRAINERS NAVIGATORS STATION

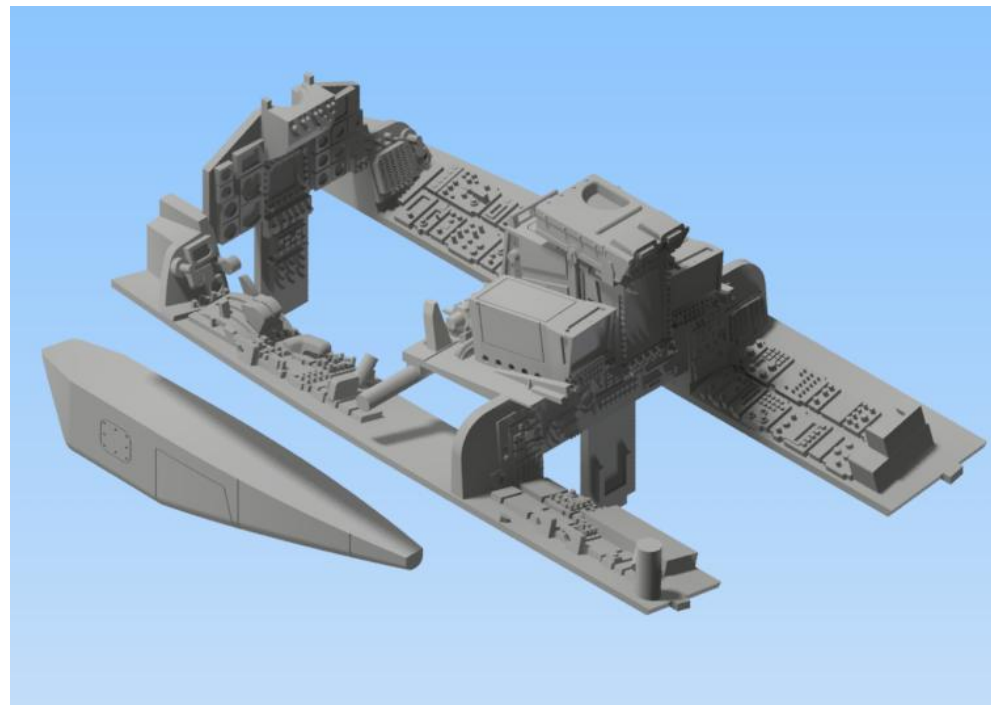
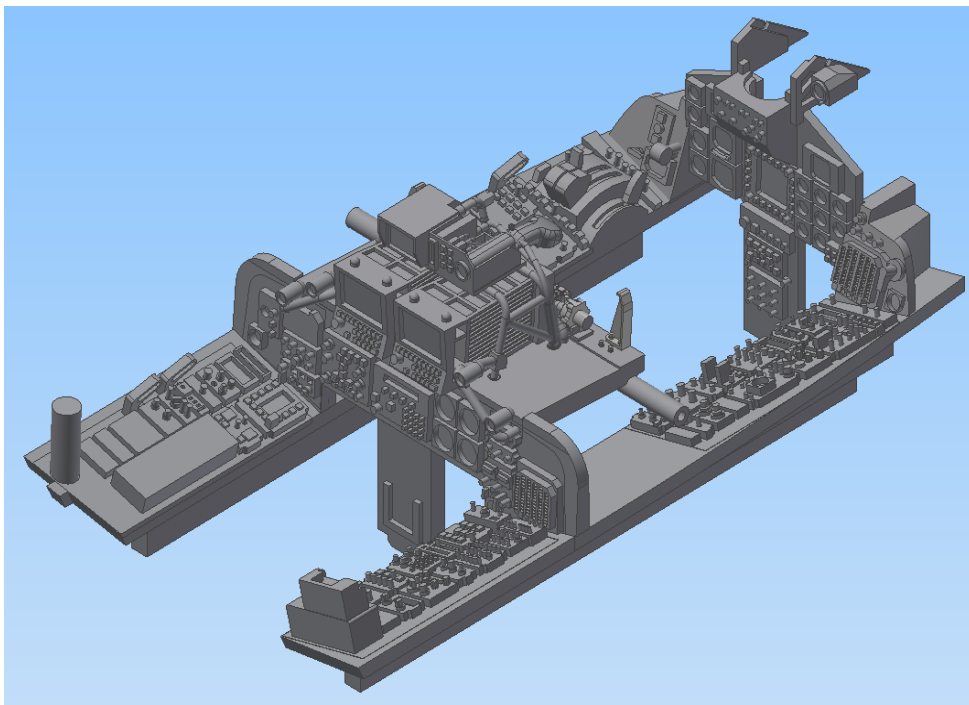


This set is for the trainer's version of the F3

		48012 ITALERI	£6.00
48010 REVELL	£6.00		
48011 ITALERI	£6.00		

1/32 32003 TORNADO F3 COCKPIT

1/32 32004 TORNADO GR4 COCKPIT



1/32 REVELL TORNADO F3 COCKPIT SET

1/32 REVELL TORNADO GR4 COCKPIT SET

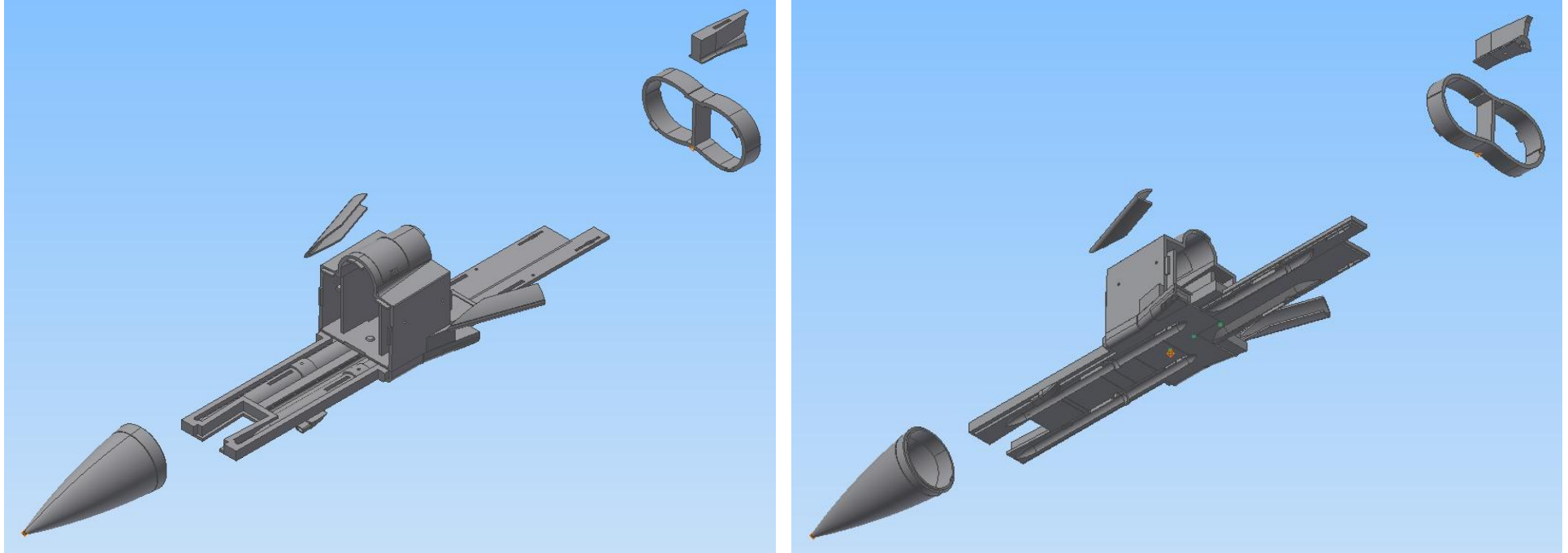
£26.00

£26.00

This set contains a full cockpit set to change the Revell GR1 cockpit into a late F3

This set contains a full cockpit set to change the Revell GR1 cockpit into a late GR4

1/32 32026 TORNADO Gr1 TO F3



1/32 REVELL TORNADO Gr1 TO F3 AIRFRAME CONVERSION KIT

£40.00

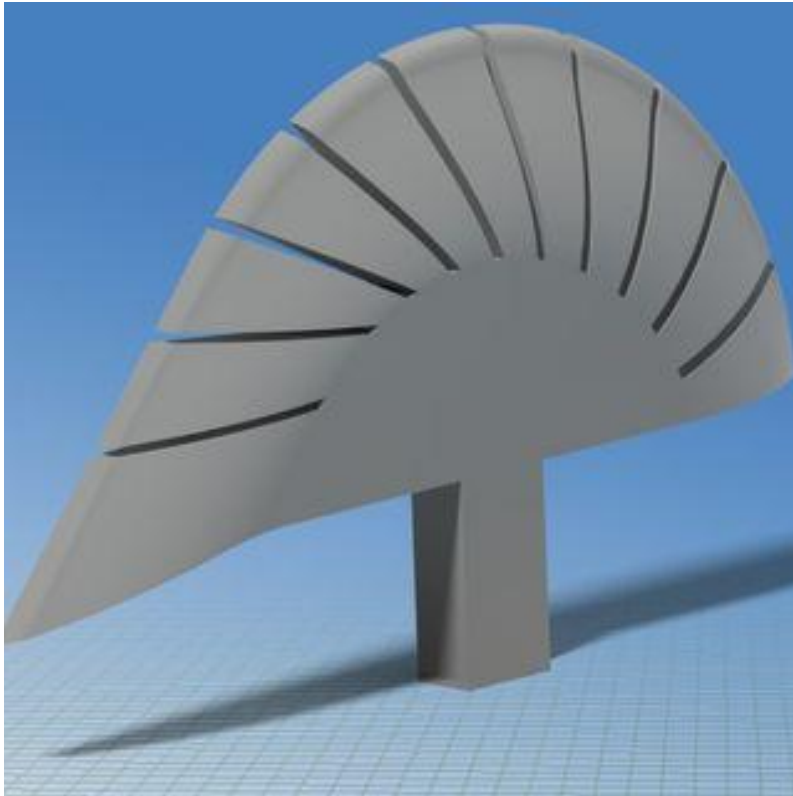
**This set contains: NOSE CONE, FRONT FUSELARGE EXTENSION, MISSILE RECESS INSERT, REAR MISSILE FAIRINGS
WING GLOVE BOX EXTENSIONS, ENGINE EXTENSION INSERT AND TAIL FIN EXTENSION INSERT**

Also available ASRAAM AIM 132 32029

AMRAAM AIM 120 A/B

Mk 10A Ejector seat: [Scale Model Developments - Shop Now | Scale Model Developments](#)

1/48 TAILERON PARTS (PAIR OF)

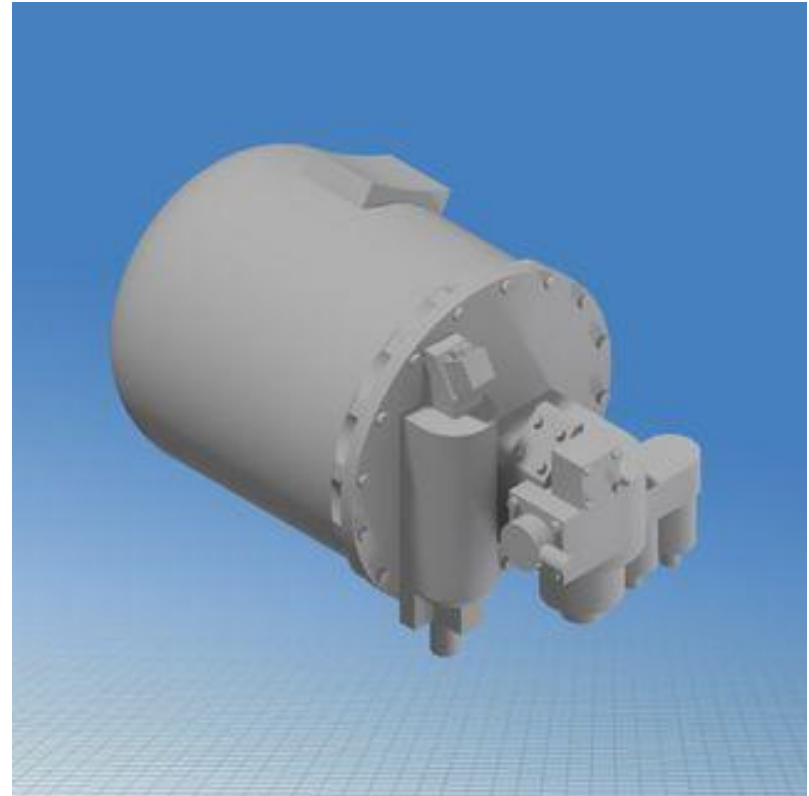


These don't exist in the 1/48 Italeri kit and are handy should you lose your Revell ones into the great carpet monster

48013

£2.00

1/32 32001 ITALERI TORNADO ENGINE SET

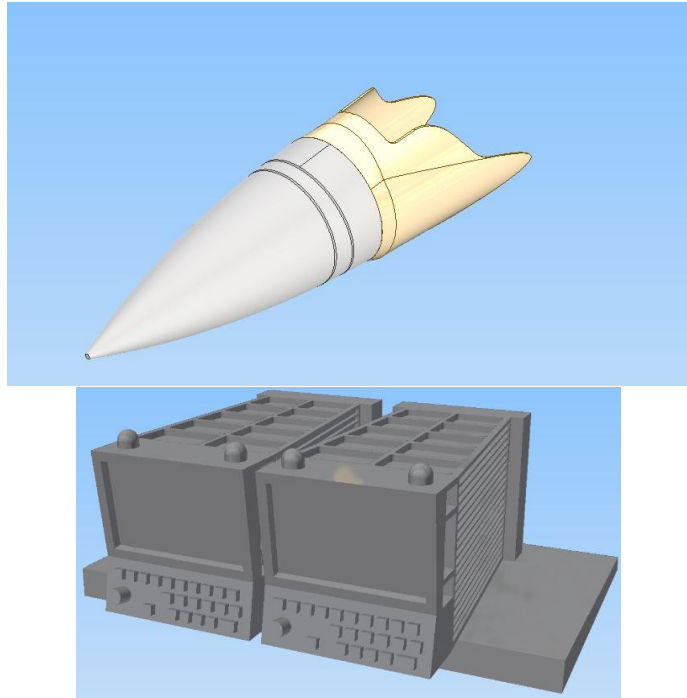


This upgrade replaces the incorrect square oil pump in the 1/32 Italeri Tornado GR4 kit

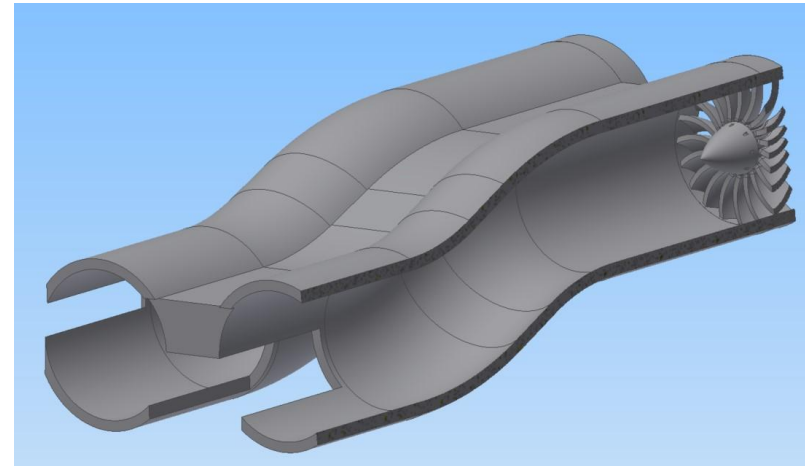
32007

£6.00

1/72 72025 AIRFIX F3 NOSE CONE ADAPTER



1/48 48033 REVELL TYPHOON ENGINE INTAKES



Airfix 1/72 Buccaneer (XX897)

Adapter used in air trials of the Foxhunter Tornado F3

Includes F3 TV Tabs for nav position

Revell 1/48 Typhoon Intakes

This part is not included in the kit

72025

£8.00

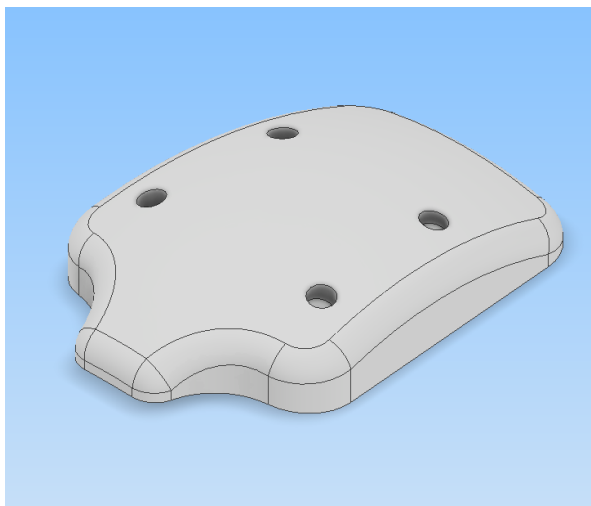
48032

£8.00

32027

£12.00

1/48 TYPHOON CONFORMAL TANK MOUNTINGS



1/48 Typhoon conformal tank mounting points Fitted to tranch 3 and 4 (supplies)

72026	£2.00		
48034	£4.00		
32028	£6.00		

FLIR**LRMTS**

Specific to all GR4 aircraft

Replacement Laser pod for nose

72008

1/72 £2.50

72009

1/72 £2.50

48014

1/48 £4.00

48015

1/48 £4.00

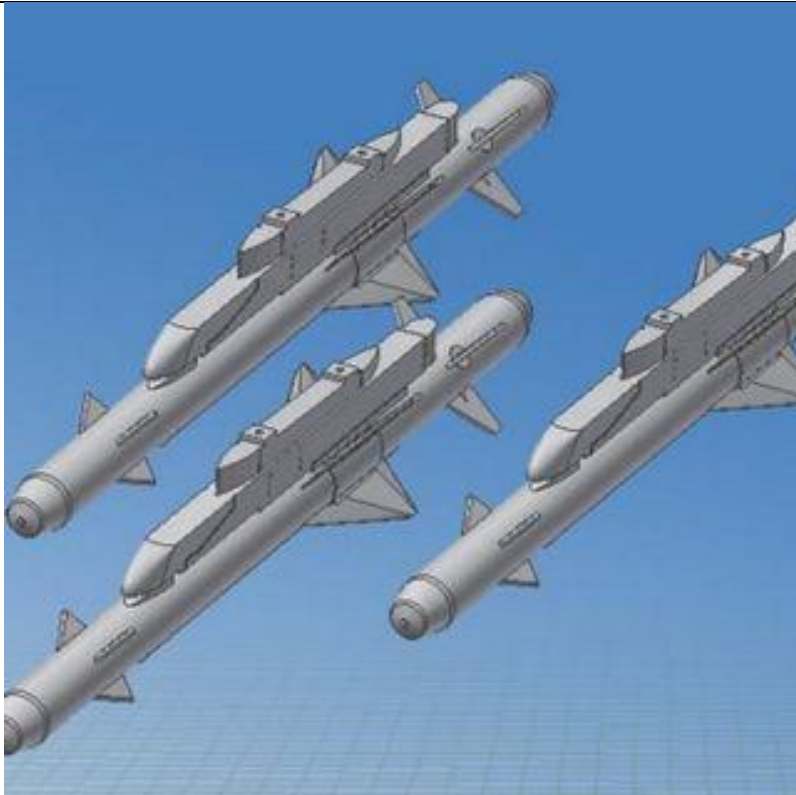
32008

1/32 £6.00

32009

1/32 £5.00

BAe Alarm missiles



SEA EAGLE MISSILES



Set of three w/ rails to belly mount under a RAF Tornado GR1 or GR4 in service 1990-2013

Set of 2 Sea Eagle missiles w/ rails for Tornado GR1B or Buccaneer. With Decal Sheet

72010

£7.00

72011

£7.00

48016

£10.00

48017

£11.00

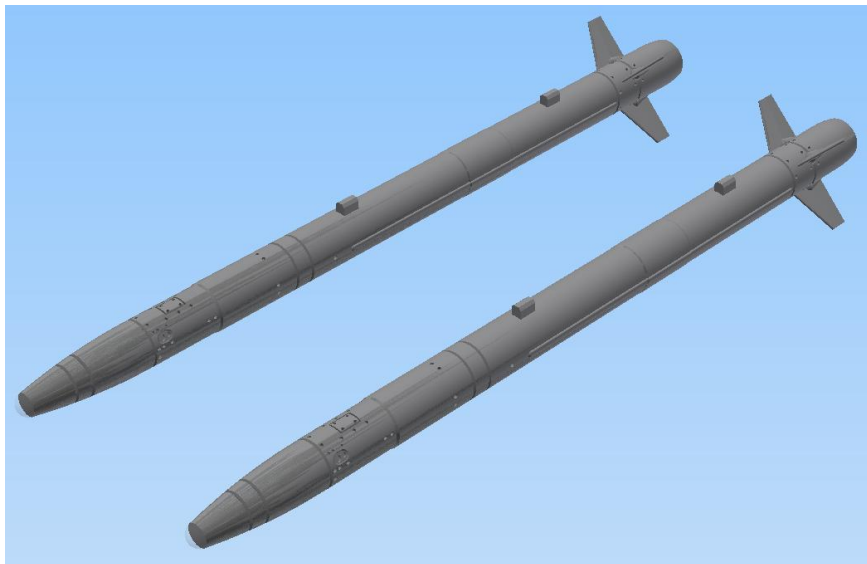
32010

£16.00

32011

£16.00

ASRAAM AIM132



**Set of two 1/32 ASRAAM AIM 132
With Decal Sheet and clear nose cone
Please state Revell or Italeri kit.**

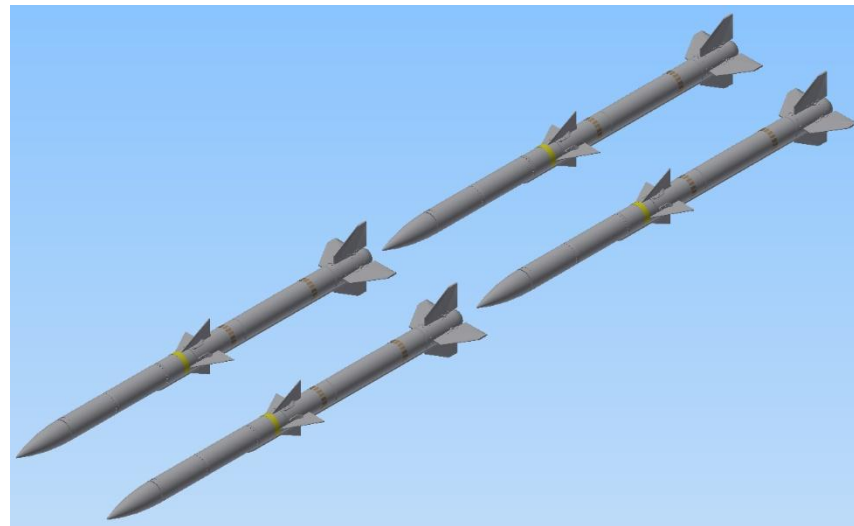
72

48

32029

£10.00

AMRAAM AIM 120 A/B



**Set of 4 ARAAM AIM 120 A/B
With Decal Sheet**

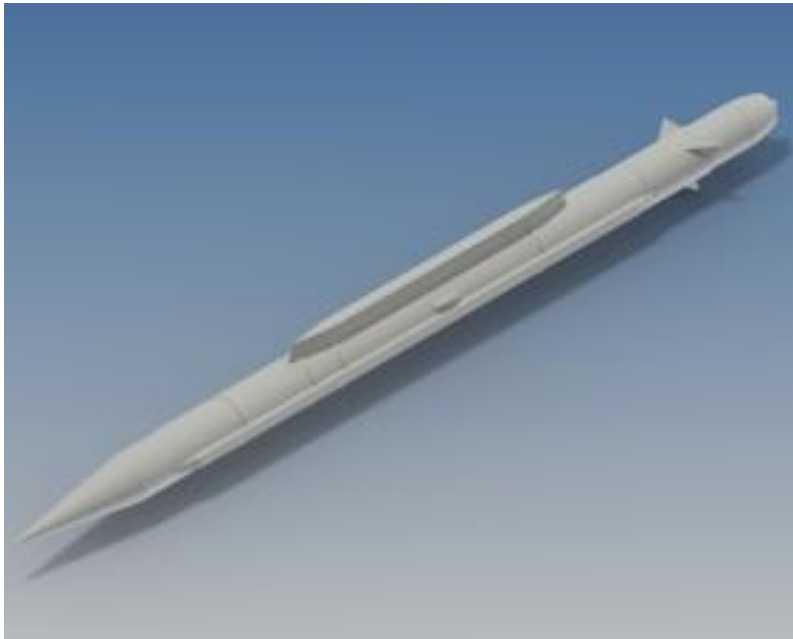
72

48

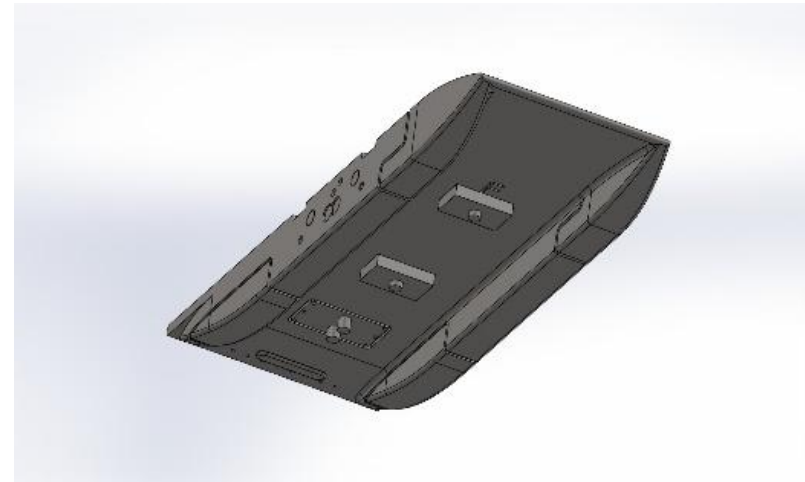
32030

£20.00

MATRA PHIMAT



DOUBLE BOMB CARRIERS FOR TORNADO GR1



For Tornado F3 or Jaguar, worn on main F3 pylon in Gulf war then moved to outer pylon

Set of four double Bomb carriers for Tornado GR1 to carry 8 1000lb bombs

72012

£5.00

72013

£6.00

48018

£7.00

48019

£9.00

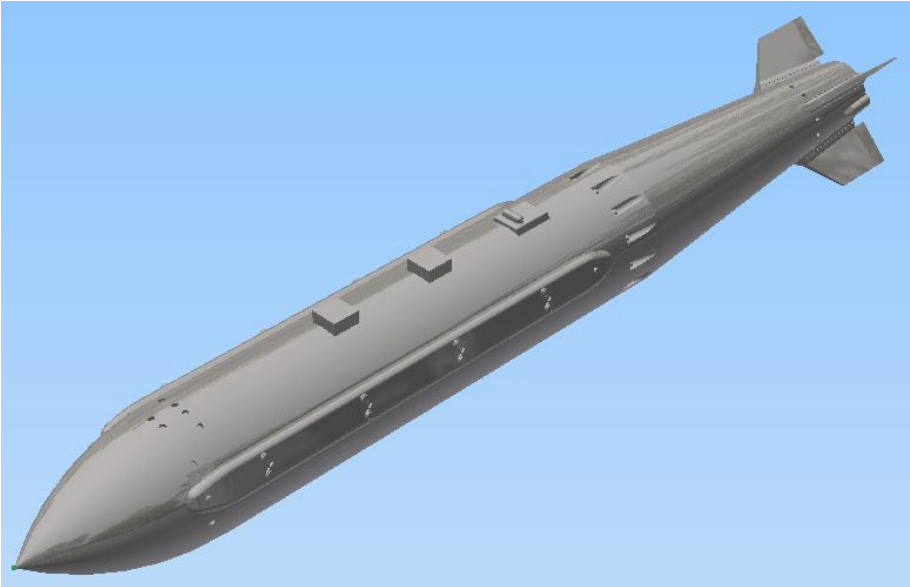
32012

£10.00

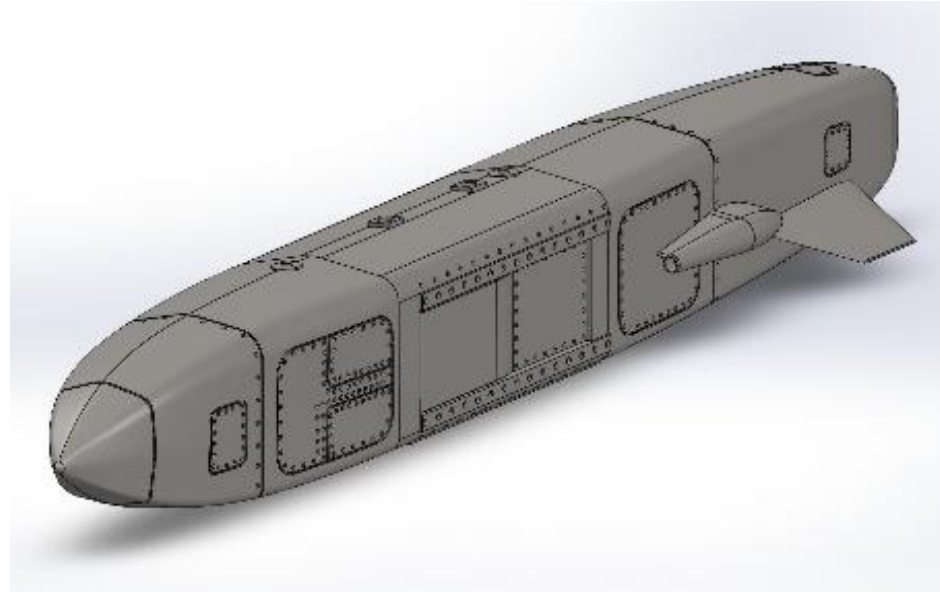
32013

£12.00

1000LB BOMBS		1000LB BOMBS WITH 960 FUSE	
			
Set of 4 UK MK13 Retarded freefall 1000lb bombs		Set of 4 UK MK13 Retarded freefall 100lb bombs with 960 fuse	
72014	£6.00	72015	£6.00
48020	£9.00	48021	£9.00
32014	£13.00	32015	£13.00

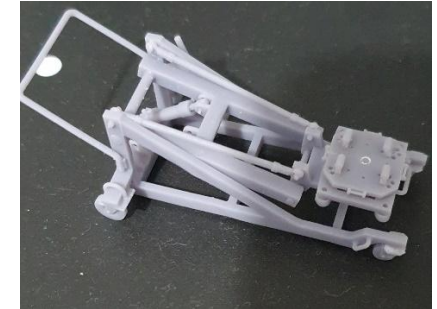
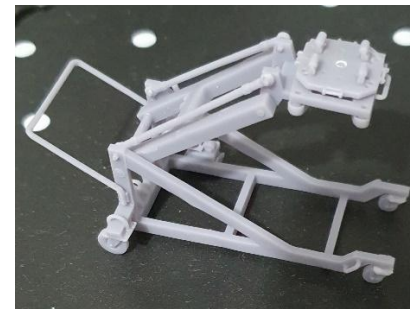
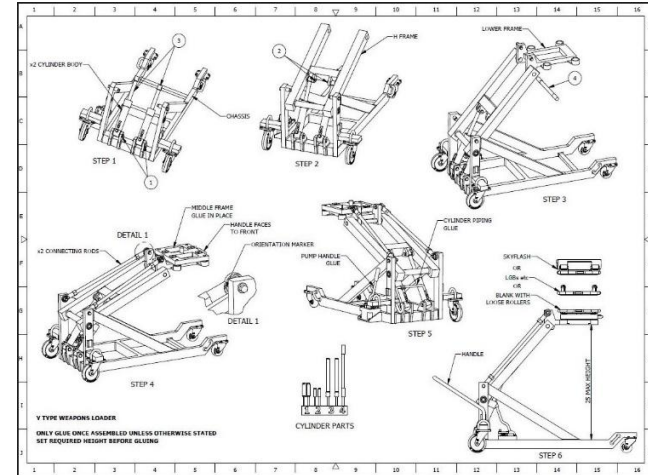
NUCLEAR BOMB WE177 B/C			
		BLANK	
Freefall Nuclear bomb WE177 B/C Tornado fitted to the front port side belly rail Buccaneer internal bomb bay			
72026	£3.00		
48034	£4.00		
32031	£6.00		

RAPTOR RECONNAISSANCE POD



Raptor reconnaissance pod, first used in 2003 during operation Telic. Comes with decals

RAF Y WEAPONS LOADER



**USED BY RAF FROM EARLY 80'S ON ALL TYPES OF AIRCRAFT
THIS IS MULTIPIECE AND REQUIRES ASSEMBLY**

72016

£8.00

48022

£16.00

32016

£21.00



48023

£10.00

32017

£16.00

1500 litre drop tanks		Early type 1500 litre drop tanks	
			
REVELL - RAF RIVETTED 1500L FUEL TANKS		REVELL - ORIGINAL DESIGN RAF RIVETTED 1500L FUEL TANKS 1980- 1986	
72017	£7.00	72018	£7.00
48024	£13.00	48025	£13.00
32018	£18.00	32019	£18.00

1500 litre drop tanks		Early type 1500 litre drop tanks	
			
ITALERI - RAF RIVETTED 1500 LITRE FUEL TANKS		ITALERI - ORIGINAL DESIGN RAF RIVETTED 1500 LITRE FUEL TANKS 1980- 1986	
72019	£7.00	72020	£7.00
48026	£13.00	48027	£13.00
32020	£18.00	32021	£18.00

RAF AIRCRAFT ARMED SIGNS	REFUELLING BASKET	AIRFIELD TRAFFIC CONES	UK LARGE WHEEL CHOCKS
			
<p>WITH DECALS COVERING STATUS 1 -4 SET OF 2 IN PACK</p>	<p>COBHAM AIR TO AIR REFUELLING BASKETS</p>	<p>WEIGHTED TYPE TRAFFIC CONES SET OF 6 IN PACK</p>	<p>UK FOR MEDIUM TO LARGE AIRCRAFT</p>
<p>24001 1/24 £10.00</p>	<p>32023 1/32 x1 £8</p>	<p>32024 1/32 £8</p>	<p>32025 1/32 £6.00</p>
<p>32022 1/32 £8.00</p>	<p>48029 1/48 x1 £6</p>	<p>48030 1/48 £6</p>	<p>48031 1/48 £5.00</p>
<p>48028 1/48 £6.00</p>	<p>72022 1/72 x2 £5</p>	<p>72023 1/72 £4</p>	<p>72024 1/72 £4.00</p>
<p>72021 1/72 £4.00</p>	<p>144001 1/144 x2 £4</p>		

REVIEWS

*“Mark has created and supplied parts to our groups sales department for many years.
He comes highly recommended and is always open to new ideas.
If you need something created, he is the man to speak to”*

Nigel Shipp

Tornado SIG Sales

